

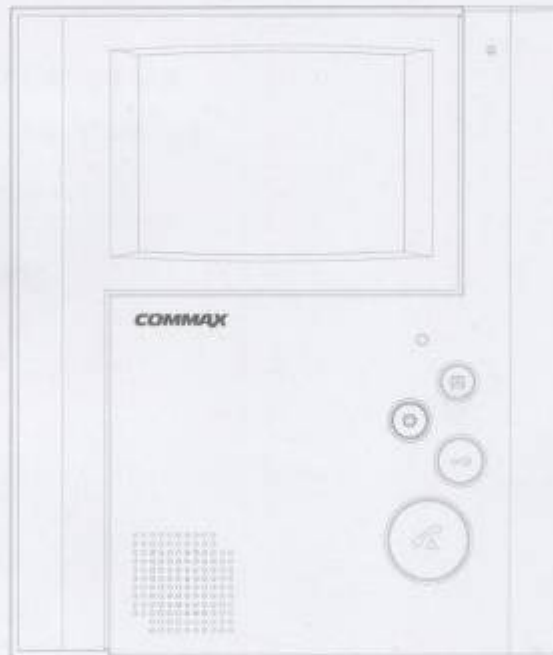
COMMAX

Blooming Life
HomeNetwork



Video Doorphone

Model No. DPV-4LH



COMMAX Co., Ltd.

- Thank you for purchasing our COMMAX product.
- Please carefully read this User's Guide (in particular, precautions for safety) before using the product and follow the instructions to use your product exactly.
- The company is not responsible for any safety accidents caused in abnormal operation of the product.

Table of Contents

Warnings and caution	2
Part Name & Function	4
Features and Main Functions	5
Package contents	6
Installation Method	7
Details	8
1. Calling a Door Camera Unit	8
2. Calling a Interphone Sub unit	8
3. Other Functions	9
Trouble shooting	10
Specifications	11

Warnings and caution

○ Make sure to follow the instructions to prevent any danger or property losses.



Warning Death or serious injury is expected.

- It indicates prohibition.
- It indicates prohibition of disassembly.
- It indicates prohibition of contact.
- It indicates dos and don'ts.
- It indicates that the plug should be pulled out from the socket.



Warning



Do not put the plug in the socket simultaneously.
It may generate abnormal heat or cause a fire.



Do not connect to other products while in use.
It may cause breakdown.



Do not forcibly bend the cord or put a heavy object on the product.
It may cause a fire.



Do not use water, thinner or a detergent used to wash oil products when you wash the exterior.
Make sure to wash it by using a dry cloth to prevent any breakdown or electric shock.



Do not install the product in a humid place.
It may cause an electric shock or a fire.



Do not forcibly pull out the cord from the socket.
If the cord is damaged, it may cause a fire or an electric shock.



Do not put the plug in the socket with a wet hand.
It may cause an electric shock.



Do not disassemble, repair or modify the product.
It may cause a fire, an electric shock or an injury due to malfunction of the product.



Do not use AC circuit breaker.
It may cause an electric shock.

Warnings and caution



Caution
An injury or property losses are expected

- It indicates prohibition.
- It indicates prohibition of disassembly.
- It indicates prohibition of contact.
- It indicates dos and don'ts.
- It indicates that the plug should be pulled out from the socket.



Caution



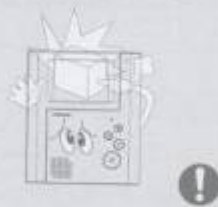
If the socket holes are larger than normal, do not put the plug.
It may cause an electric shock or a fire.



Make sure that dust or foreign substances are not gathered on the product.



Make sure to prevent foreign substances from entering the product.
It may cause a breakdown.



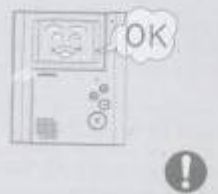
Do not put a heavy object on the product.
It may cause a breakdown.



Do not disassemble or give an impact to the product.



Avoid direct rays of the sun or heating devices at a time of installation.



Install the product in a flat and stable place.
Otherwise, it may not function properly.

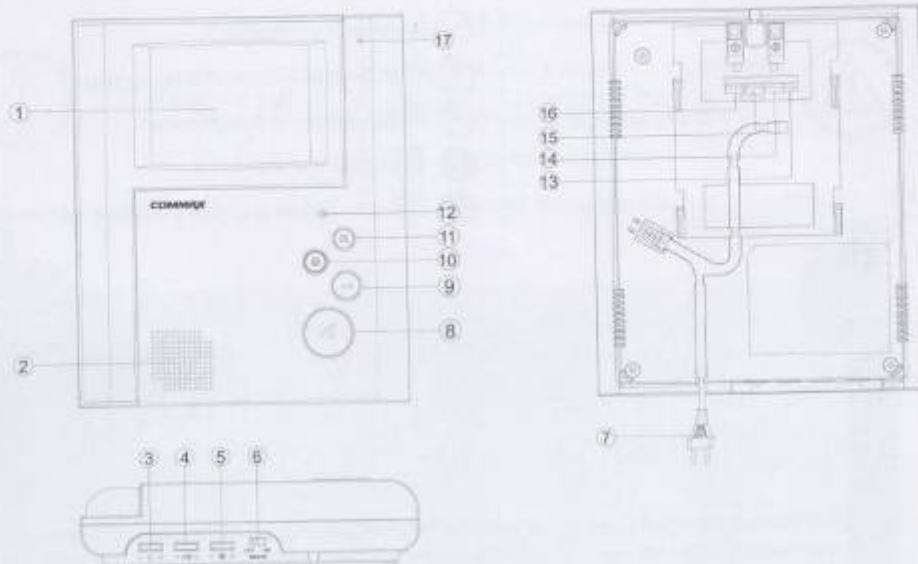


Pull the plug if the product is not used for a long time.



If the product generates strange sound, make sure to pull the plug immediately and contact Commax service center.

1. Part Name & Function



No.	Part Names	Description
1	Screen	4" B/W FLAT CRT
2	Speaker	
3	Ringer Volume Adjust	Dial that adjusts the volume of the ring.
4	Call Volume Adjust	Dial that adjusts the volume of the call.
5	Screen Exposure Adjust	Dial that adjusts the brightness of the screen
6	Power Switch	
7	AC Power Cord	
8	Call Button	
9	Door Release Button	
10	Interphone Button	
11	View Button	Button that allows view the entrance
12	Power LED	
13	Camera Selection Switch	Allows user to select which camera to view
14	Interphone Connection Terminal	Terminal to connect with the Interphone Unit
15	Camera 2 Connecting Terminal	Terminal to connect with Camera 2
16	Camera 1 Connecting Terminal	Terminal to connect with Camera 1
17	MIC.	



2. Features and main Function

1) Features

- ① B/W 4" FLAT CRT
- ② Surface-type Installation

2) Functions

- ① Calling and conversing with interphone sub-units
- ② Opening the main entrance unit
- ③ Priority calling

3. Package Contents



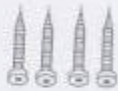
Monitor



Wall bracket



Manual



T4×18

Wall bracket Mounting Screw



M3×6

Monitor Fixing Screw



2P

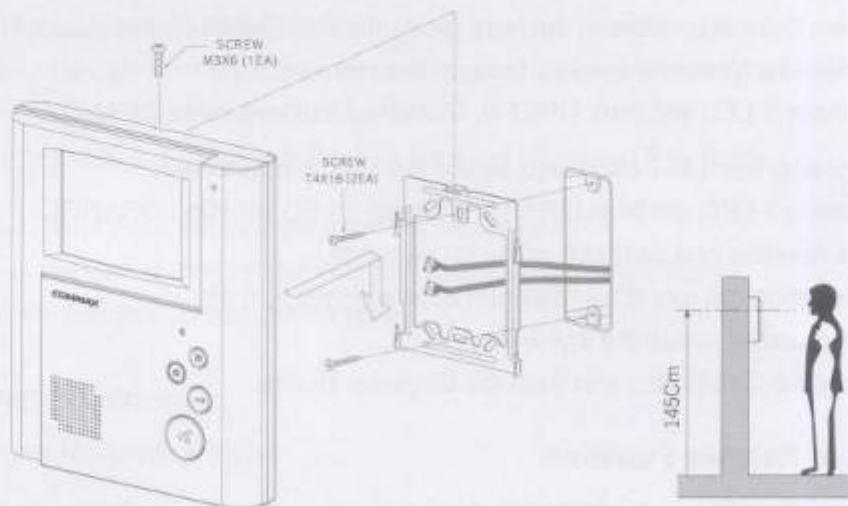


4P

Connector

4. Installation method

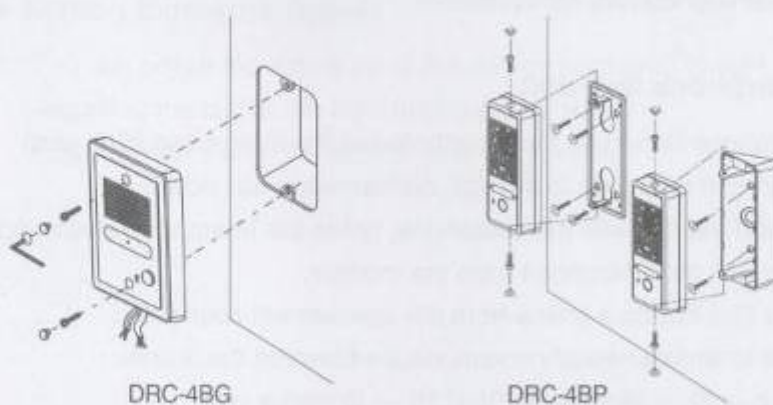
1) Installation method of monitor



※ CAUTION:

- Do not install near magnetic activity, humid temperatures, extreme heating conditions, and under direct sunlight as these may damage the condition and performance of the product.
- The position of the unit's body should fit the standard height from the ground range which is recommended to be from 1450~1500mm.
- In case of installing additional monitor, the image on screen may become dim.

2) Installation method of camera (DRC-4BG/ DRC-4BPas shown below)



※ CAUTION:

- For the clearest picture quality, do not install under areas that have a strong source of reflective light.

5. Details

1. Calling a Door Camera Unit

- ① When there is a visitor at the door, push the Call Button on the monitor (DPV-4LH) to view the visitor through the monitor.
(Camera 1 LED will blink GREEN, Camera 2 LED will blink ORANGE)
- ② Pressing the Call Button also allows the user to make calls.
 - Camera 1 LED will blink GREEN, Camera 2 LED will blink ORANGE)
 - The duration of a call lasts about 60 seconds, which then the monitor screen will automatically turn off.
 - If you wish to recall the entrance, press the Call Button and then the Entrance Button.

► Door Release Function

If the connection has been established, pressing the Open Button will open or close the entrance door.

- ① Press the "View " button to end a call.
- ② While in standby mode, if you wish to view the entrance, press the Entrance Button.

► Priority Call Function

During a call, to prevent losing connection with the monitor camera when another incoming call arrives, press the Call Button to keep you connected with your current conversation.

2. Calling a Interphone Sub unit

- ① Press the Interphone Button on the monitor to call the interphone (Sub-unit).
Once the interphone responds to the call, conversation can occur.
- ② If you wish to end the call with the interphone, press the Interphone Button again.
- ③ While speaking with the interphone from the monitor,
if you press the Call Button a chime from the speaker will sound and you will be able to simultaneously communicate between the 3 units:
Interphone (Sub-unit) → Monitor (DPV-4LH) → Entrance unit

- ④ While speaking with the door camera unit from the interphone, if you press the Call Button a sound will signal and you can simultaneously communicate between the 3 units:

Door camera unit → Interphone (Sub-unit) → Monitor (DPV-4LH)

- ⑤ If you wish to call the monitor from the interphone, press the Call Button on the interphone and a sound will signify that the connection has been made.

3. Other Functions

▶ Ringer Volume Adjust

- ① You can adjust the volume of the ring tones from calls.
(Adjusting the dial to the right raises the volume.
Adjusting the dial to the left lowers the volume)

▶ Call Volume Adjust

- ① You can lower or raise the call volume when speaking with the entrance and the interphone units. (Adjusting the dial to the right raises the volume. Adjusting the volume to the left lowers the volume.)

▶ Screen Exposure Adjust

- ① You can adjust the exposure of the screen from dark to light
(Adjusting the dial to the right brightens the screen.
Adjusting the dial to the left darkens the screen.)

6. Trouble shooting

If you think that the product has trouble, please first check below contents before you ask a repair.

Troubles	Check Point	Actions
<ul style="list-style-type: none"> · The power supply is not on. · All works are stopped 	<ol style="list-style-type: none"> 1. The power supply code is missing or not. 2. The power supply switch (down) is off or not. 	<ol style="list-style-type: none"> 1. Please connect the power supply cord 2. Please turn on the power supply switch (down) pushing to the right.
<ul style="list-style-type: none"> · A Call operation is not performed. (Door, Interphone function) 	<ol style="list-style-type: none"> 1. The wiring between other units is connected correctly in good order or not. 2. The wiring is missing or not. 3. A Room id is set or not. 	<ol style="list-style-type: none"> 1. Please refer to connection related page and manage. 2. Please connect correctly to the terminal. 3. Please refer to Room id setting related page.
<ul style="list-style-type: none"> · The product does not produce the sound. (Call volume, Talk volume) 	<ol style="list-style-type: none"> 1. A sound volume lies in minimum or not. 	<ol style="list-style-type: none"> 1. Please adjust the sound volume properly turning to the right, as you want.
<ul style="list-style-type: none"> · The screen is dark. · The screen is strange. 	<ol style="list-style-type: none"> 1. There is a strong reflected light behind the visitor or not. 2. The screen control is adjusted correctly. 	<ol style="list-style-type: none"> 1. Please change the angle of camera lens. 2. Please initialize the screen control. (Refer to setting related page)
<ul style="list-style-type: none"> · We can see the visitor image but no voice. 	<ol style="list-style-type: none"> 1. The connector on the handset is properly inserted to the product? 	<ol style="list-style-type: none"> 1. Please put the connector properly again.
<ul style="list-style-type: none"> · No stored image found 	<ol style="list-style-type: none"> 1. Auto recording is assigned? 	<ol style="list-style-type: none"> 1. Please set the status of "AUTO RECORD" as "YES"

7. Specifications

ITEM	CONTENTS (DPV-4LH)
Wiring	Door camera unit: 4 wires Interphone: 4 wires
Rated voltage	AC 90V ~ 240V, 50/ 60Hz
Display unit	4" B/W Flat CRT
Call sound	chime sound
Power	Stand-by: 2W
Requirements	Operation: (MAX) 16W
Communication distance	Camera to Master : 50m/ ϕ 0.65
Temperature Limit	0°C ~ +40°C
Operating temperature	0°C ~ 40°C
Dimension	190(W)x226(H)x48(D)
Weight	1.2Kg

COMMAX

Blooming Life, HomeNetwork

COMMAX Co.,Ltd.

a513-11, Sangdaewon-dong, Jungwon-gu, Seongnam-si, Gyeonggi-do, Korea

Int'l Business Dept. : Tel.; +82-31-7393-540-550 Fax.; +82-31-745-2133

Web site : www.commax.com

Printed In Korea/2007.04